

Flexy Compact Cutlery and Bread Glass Dispenser

ITEM # _____

MODEL # _____

NAME # _____

SIS # _____

AIA # _____



322123 (F32NAW)

Cutlery, bread and glass
Dispenser

Short Form Specification

Item No. _____

Unit has 2 shelves to accommodate GN containers (not included) for cutlery and bread and one shelf to accommodate glasses. Sturdy construction with laminated panelings on 4 sides. Unit mounted on 125 mm wheels 2 swivel and 2 with brakes.

Main Features

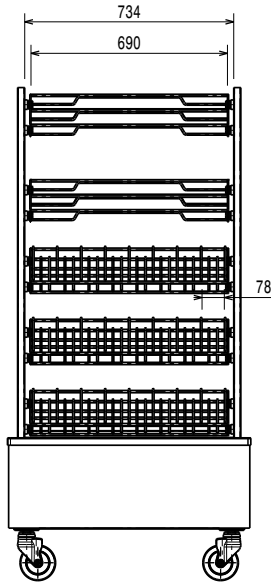
- Unit has 2 shelves to accommodate GN containers (not included) for cutlery and bread and one shelf to accommodate glasses.
- Perfect compact design makes it ideal for space saving environments.
- CB and CE certified by a third party notified body.
- Unit mounted on 125 mm wheels 2 swivel and 2 with brakes.

Construction

- Sturdy construction with laminated panelings on 4 sides.

APPROVAL: _____

Front



Electric

Supply voltage:

Electrical power max.:

Key Information:

External dimensions, Width: 854 mm

External dimensions, Depth: 642 mm

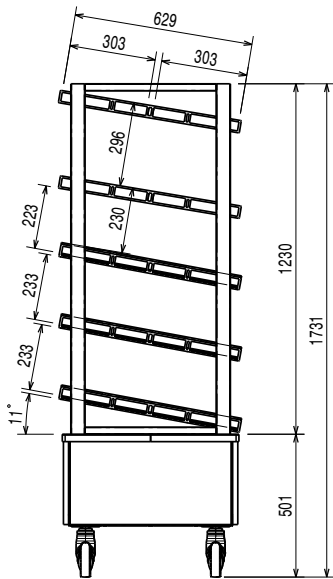
External dimensions, Height: 1731 mm

Net weight: 45 kg

Foot type:

Foot size:

Side



Top

